



Express coupling(NF E 29573) is a kind of symmetrical half coupling for water and comprised air use. Operation of this kind of coupling is pushing two couplings and rotating close into a seal form. It is popular in France area and European market with brass and stainless steel. The claw lug distance is 41mm for all sizes.

Application

Luxe's Express couplings are widely used in the transferring of water and compress air .

Material

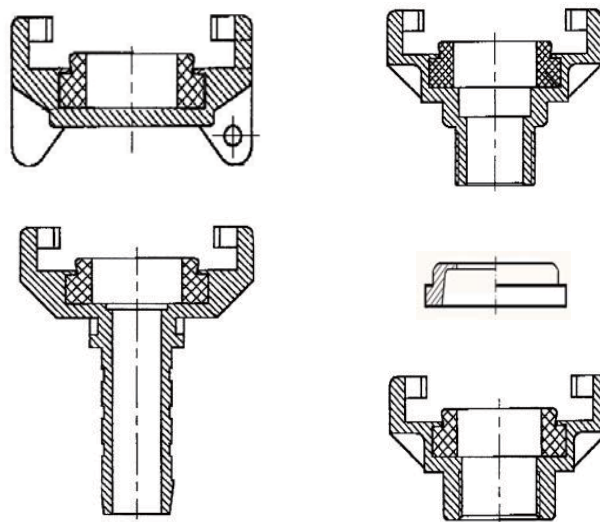
- 1.Stainless steel
- 2.Brass
- 3.Carbon steel and zinc alloy on customer's demand

Seal





- 1.As standard the coupling in SS have a black Viton sealing ring
- 2.The brass coupling with a black NBR sealing ring.

Thread

- 1.Female thread BSP EN ISO 228-1
- 2.Male thread BSP EN ISO 228-1



| Luxecasting 2014 | Name | Size | Code | D mm | Price USD |
|--|-------------|-------------|-------------|---------------|------------------|
| Hose end  | EXH10BR | 3/8" | L0702043 | 10 | |
| | EXH13BR | 1/2" | L0702044 | 13 | |
| | EXH16BR | 5/8" | L0702045 | 16 | |
| | EXH19BR | 3/4" | L0702050 | 19 | |
| | EXH25BR | 1" | L0702032 | 25 | |
| | EXH32BR | 1 1/4" | L0702046 | 32 | |
| | EXH38BR | 1 1/2" | L0702047 | 38 | |
|  | EXH10SS | 3/8" | L0702015 | 10 | |
| | EXH13SS | 1/2" | L0702011 | 13 | |
| | EXH16SS | 5/8" | L0702069 | 16 | |
| | EXH19SS | 3/4" | L0702012 | 19 | |
| | EXH25SS | 1" | L0702013 | 25 | |
| | EXH32SS | 1 1/4" | L0702070 | 32 | |
| | EXH38SS | 1 1/2" | L0702071 | 38 | |
| Female thread  | Name | Size | Code | Thread | Price USD |
| | EXF7BR | 1/4" | L0702048 | G1/4" | |
| | EXF10BR | 3/8" | L0702049 | G3/8" | |
| | EXF13BR | 1/2" | L0702051 | G1/2" | |
| | EXF16BR | 5/8" | L0702052 | G5/8" | |
| | EXF19BR | 3/4" | L0702037 | G3/4" | |
| | EXF25BR | 1" | L0702029 | G1" | |
| | EXF32BR | 1 1/4" | L0702053 | G1 1/4" | |
| | EXF38BR | 1 1/2" | L0702054 | G1 1/2" | |
| | EXF7SS | 1/4" | L0702055 | G1/4" | |
| | EXF10SS | 3/8" | L0702001 | G3/8" | |
| | EXF13SS | 1/2" | L0702009 | G1/2" | |
| | EXF16SS | 5/8" | L0702056 | G5/8" | |
| | EXF19SS | 3/4" | L0702007 | G3/4" | |
| EXF25SS | 1" | L0702004 | G1" | | |
| EXF32SS | 1 1/4" | L0702057 | G1 1/4" | | |
| EXF38SS | 1 1/2" | L0702058 | G1 1/2" | | |

| Luxecasting 2014 | Name | Size | Code | Thread | Price USD | |
|--|---|-------------|-------------|--------------------------|------------------|--|
| Male thread  | EXM7BR | 1/4" | L0702059 | G1/4" | | |
| | EXM10BR | 3/8" | L0702060 | G3/8" | | |
| | EXM13BR | 1/2" | L0702031 | G1/2" | | |
| | EXM16BR | 5/8" | L0702061 | G5/8" | | |
| | EXM19BR | 3/4" | L0702041 | G3/4" | | |
| | EXM25BR | 1" | L0702062 | G1" | | |
| | EXM32BR | 1 1/4" | L0702063 | G1 1/4" | | |
| | EXM38BR | 1 1/2" | L0702064 | G1 1/2" | | |
| | EXM7SS | 1/4" | L0702065 | G1/4" | | |
| | EXM10SS | 3/8" | L0702042 | G3/8" | | |
|  | EXM13SS | 1/2" | L0702010 | G1/2" | | |
| | EXM16SS | 5/8" | L0702066 | G5/8" | | |
| | EXM19SS | 3/4" | L0702008 | G3/4" | | |
| | EXM25SS | 1" | L0702005 | G1" | | |
| | EXM32SS | 1 1/4" | L0702002 | G1 1/4" | | |
| | EXM38SS | 1 1/2" | L0702067 | G1 1/2" | | |
| | EXC-BR | | L0702068 | | | |
| | EXC-SS | | L0702003 | | | |
| | Blank cap  | | | | | |
| | | | | | | |
| Express clamp  | Name | | Code | HoseOD min-max/mm | Price USD | |
| | EXA17SS | | L0702072 | 16-18 | | |
| | EXA20SS | | L0702073 | 19-21 | | |
| | EXA23SS | | L0702074 | 22-24 | | |
| | EXA26SS | | L0702075 | 25-27 | | |
| | EXA29SS | | L0702076 | 28-30 | | |
| | EXA32SS | | L0702077 | 31-33 | | |
| | EXA36SS | | L0702078 | 34-36 | | |
| | EXA38SS | | L0702079 | 37-39 | | |
| | Express seal  | EXNBR | | L0705001 | | |
| EXViton | | | L0705008 | | | |